

MR-16 LED-5 watt-380 lumens



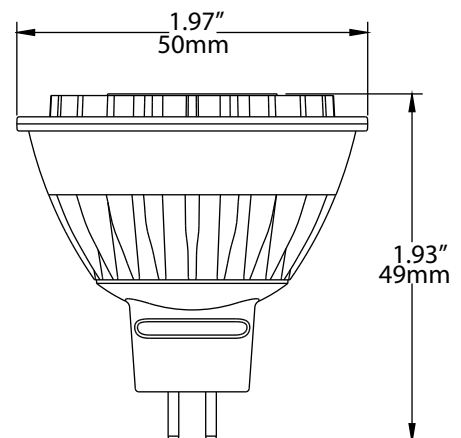
(replaces 35 watt halogen)

Description:

The MR-16, 5 watt, LED lamp is designed to fit into standard, low voltage, MR-16 fixtures and is thermally engineered to operate in enclosed fixtures.

Specifications/Features:

- Engineered for Landscape Lighting Fixtures
- 8-18 VOLTS AC/DC
- 380 Lumen 2700K Warm White
- 430 Lumen 5500K Cool White
- CRI: 84
- CREE Chipset
- 50,000 hour lamp life
- Fully potted PC board
- Dimmable (with most magnetic transformers)
- 5-Year Warranty



Part Number

MR16 XX XX

- ◊ WW = Warm White
- ◊ CW = Cool White
- RED = Red
- GREEN = Green
- BLUE = Blue
- AMBER = Amber

Color

Beamspread

- 15 = 15 degree
- 30 = 30 degree
- 60 = 60 degree

MR16 5watt 15degree (SPOT) Candle Power 966		
2ft	5"	249.9FC
4ft	11"	62.5
6ft	1'4"	27.8
8ft	1'9"	15.6
10ft	2'3"	10.0
12ft	2'8"	6.9
14ft	3'2"	5.1
16ft	3'7"	3.9
18ft	4'1"	3.1
20ft	4'6"	2.50

MR16 5watt 30degree (FLD) Candle Power 680.8		
2ft	1'6"	170.2FC
4ft	3'	42.6
6ft	4'7"	18.9
8ft	6'1"	10.6
10ft	7'8"	6.8
12ft	9'2"	4.7
14ft	10'9"	3.5
16ft	12'3"	2.7
18ft	13'9"	2.1
20ft	15'4"	1.7

MR16 5watt 60degree (WFL) Candle Power 492.2		
2ft	2'6"	123.1FC
4ft	4'8"	31
6ft	7'	13.7
8ft	9'4"	7.7
10ft	11'7"	4.9
12ft	13'11"	3.4
14ft	16'2"	2.5
16ft	18'6"	1.9
18ft	20'9"	1.5
20ft	23'1"	1.23

Specifications subject to change without notice.