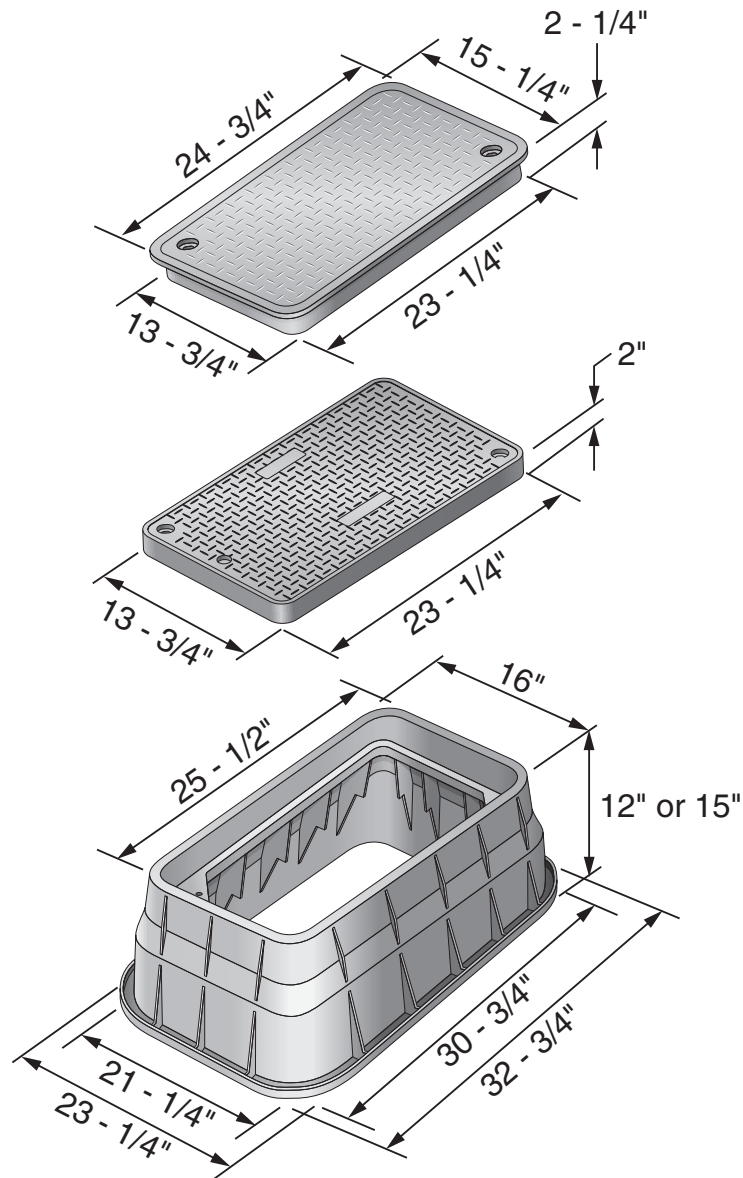


NDS Pro Series 13"x 24" Rectangular Valve Boxes

Specifications: The NDS PRO SERIES 13"x24" valve boxes and covers are injection molded of structural foam polyethylene material with a melt index between 10-12. Coloring and UV stabilizers are added, along with processing lubricants when needed. The 13"x24" body shall be tapered and have a minimum wall thickness of .270". The body shall have a double wall at the top cover seat area with a minimum thickness of .270". The cover seat area shall have 18 structural support ribs on the underside of the seat, each with a minimum thickness of .250". The bottom of the body shall have a 1.000" flange. The 13"x24" cover shall have an average thickness of .320".



Part Number	Box Description	Cover Description - Marking	Color (Box/Cover)	Pallet Qty	Weight Ea
Box & Cover					
221BCB	13"x24"x12" Box	Overlapping Bolt-Down Cover - ICV	Green/Green	12	24.00
222BCB	13"x24"x15"Box	Overlapping Bolt-Down Cover - ICV	Green/Green	12	26.00
221BCDB	13"x24"x12"Box	Drop-in Bolt-Down Cover - ICV	Green/Green	12	24.00
222BCDB	13"x24"x15" Box	Drop-in Bolt-Down Cover - ICV	Green/Green	12	26.00
221BCDB ELEC	13"x24"x12" Box	Drop-in Cover - Electric	Gray/Gray	12	23.90
222BCDB ELEC	13"x24"x15" Box	Drop-in Cover - Electric	Gray/Gray	12	25.90
Cover Only					
222C		13"x24" Overlapping Cover - ICV	Green	125	7.00
222CD		13"x24" Drop-in Cover - ICV	Green	125	7.00
222CD ELEC		13"x24" Drop-in Cover - Electric	Gray	125	7.00
Box Only					
221B	13"x24"x12" Box		Green	16	17.00
222B	13"x24"x15" Box		Green	12	19.00
221B GRAY	13"x24"x12" Box		Gray	12	17.00
222B GRAY	13"x24"x15" Box		Gray	12	19.00

Call for additional options and availability

Properties of Unfoamed Resin		
	ASTM Test Method	Polyolefin
Tensile Strength, Yield	ASTM D 638	3100-4400 PSI
Density	ASTM D 792	.900-.956
Notched Izod Impact Strength	ASTM D 256	4-15 ft. lbs/in.
Heat Deflection Temperature @ 66 PSI, Degrees F.	ASTM D 648	165-212 degrees F.

Shipping Configuration		
	Box	Cover
Pallet	12	125
Pieces per Stack	6	25
Stack per Pallet	12	5
Pallet Dimensions	40x 47"x48 1/2"	35"x50"x62"



NDS Customer Service

851 N. Harvard Ave
 Lindsay, CA 93247
 Phone: (800) 726-1994
 (559) 562-9888
 Fax: (800) 726-1998
 (559) 562-4488

www.NDSPRO.com